

# SUBMERSIBLE PARTS - 4" 3200 SERIES

STAINLESS STEEL/PLASTIC MODELS: 5-10 GPM

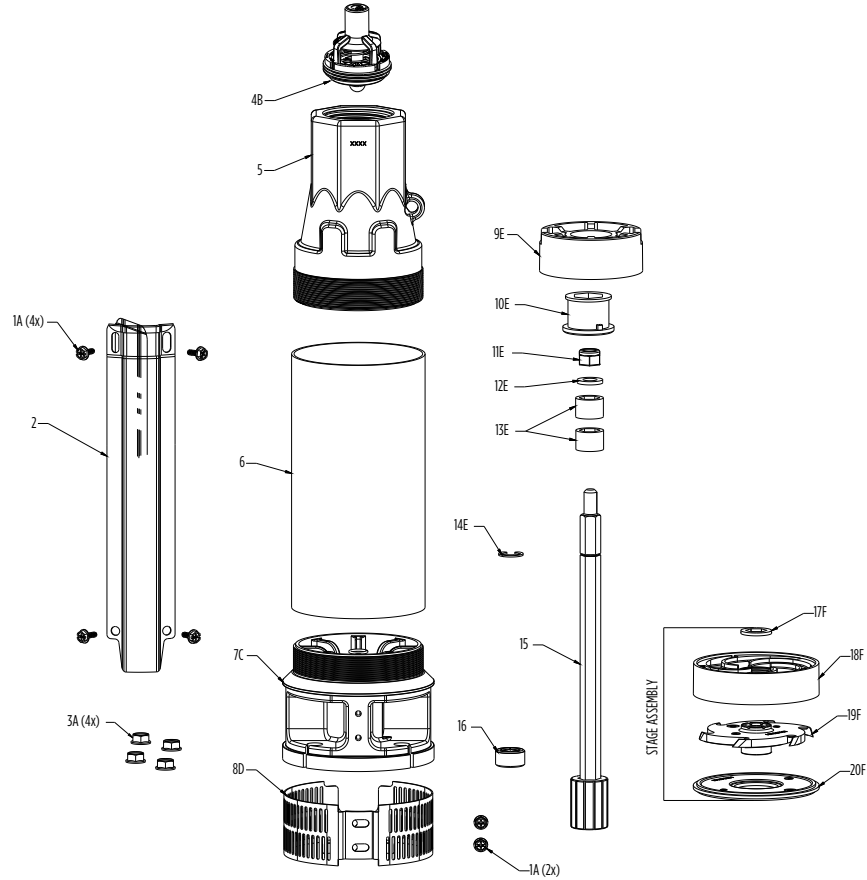


Fig. No.	Description	Kit Grouping Identifier*	Pump Type	
			Plastic	Stainless
1	Fastener Kit	A	305472001	
2	Cable Guard**	-	-	
3	Hex Nut	A	Included in 305472001	
4	Check Valve	B	305710002	
5	Discharge Head	-	-	
6	Pump Shell	-	-	
7	Motor Bracket	C	305472460	305472461
8	Intake Screen	D	305710004	
9	Bearing Support	E	305472003	
10	Top Bearing			
11	Self-Locking Nut			
12	Washer			
13	Hub Sleeve			
14	Retainer Ring Clip	-	-	
15	Pump Shaft			
16	Hex Spacer Sleeve			
17	Thrust Washer			
18	Diffuser Assembly			
19	Impeller Assembly	F	-	
20	Disk Assembly			
Not Shown	Stage Assembly - 5 GPM			
Not Shown	Stage Assembly - 7 GPM	F	305404924	
Not Shown	Stage Assembly - 10 GPM		305404925	
Not Shown	Stage Assembly - 10 GPM		305404926	

\* Items with like identifiers are sold/packaged together

\*\* Contact Customer Relations for assistance

## SUBMERSIBLE PARTS - 4" TRI-SEAL

PLASTIC MODELS: 5-25 GPM

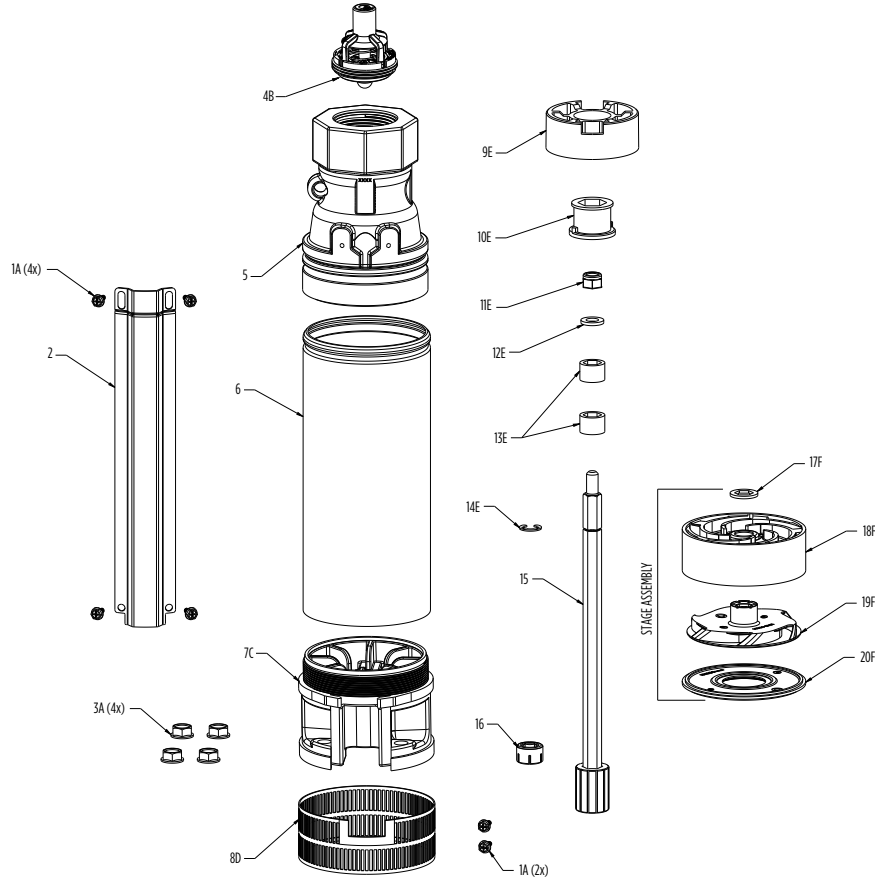


Fig. No.	Description	Component Construction Material	Kit Grouping Identifier*	Order No.
1	Fastener Kit	Stainless Steel	A	305472001
2	Cable Guard**	Stainless Steel	-	-
2	Cable Guard**	Thermoplastic	-	-
3	Hex Nut	Stainless Steel	A	305472001
4	Check Valve	Stainless Steel	B	305710002
5	Discharge Head	Stainless Steel	-	-
5	Discharge Head	Thermoplastic	-	-
6	Pump Shell	Stainless Steel	-	-
7	Motor Bracket	Stainless Steel	C	-
7	Motor Bracket	Thermoplastic	-	305472002
8	Intake Screen	Stainless Steel	D	305710004
8	Intake Screen	Thermoplastic	-	-
9	Bearing Support	Thermoplastic	-	-
10	Top Bearing	Rubber	-	-
11	Self-Locking Nut	Nylon/Stainless Steel	E	305472003
12	Washer	Stainless Steel	-	-
13	Hub Sleeve	Ceramic	-	-
14	Retainer Ring Clip	Stainless Steel	-	-
15	Pump Shaft	Stainless Steel	-	-
16	Hex Spacer Sleeve	Thermoplastic	-	-
17	Thrust Washer (black side down)	Phenolic/Carbon	-	-
18	Diffuser Assembly	Thermoplastic/Stainless Steel	F	-
19	Impeller Assembly	Thermoplastic	-	-
20	Disk Assembly	Thermoplastic/Stainless Steel	-	-
21	O-ring (when applicable)	Rubber	E	305472003
Not Shown	Stage Assembly - 5 GPM	-	-	305404911
Not Shown	Stage Assembly - 7 GPM	-	-	305404912
Not Shown	Stage Assembly - 10 GPM	-	F	305404913
Not Shown	Stage Assembly - 15 GPM	-	-	305404914
Not Shown	Stage Assembly - 20 GPM	-	-	305404915
Not Shown	Stage Assembly - 25 GPM	-	-	305404916

\* Items with like identifiers are sold/packaged together

\*\* Contact Customer Relations for assistance

## SUBMERSIBLE PARTS - 4" TRI-SEAL

### STAINLESS STEEL MODELS: 5-25 GPM

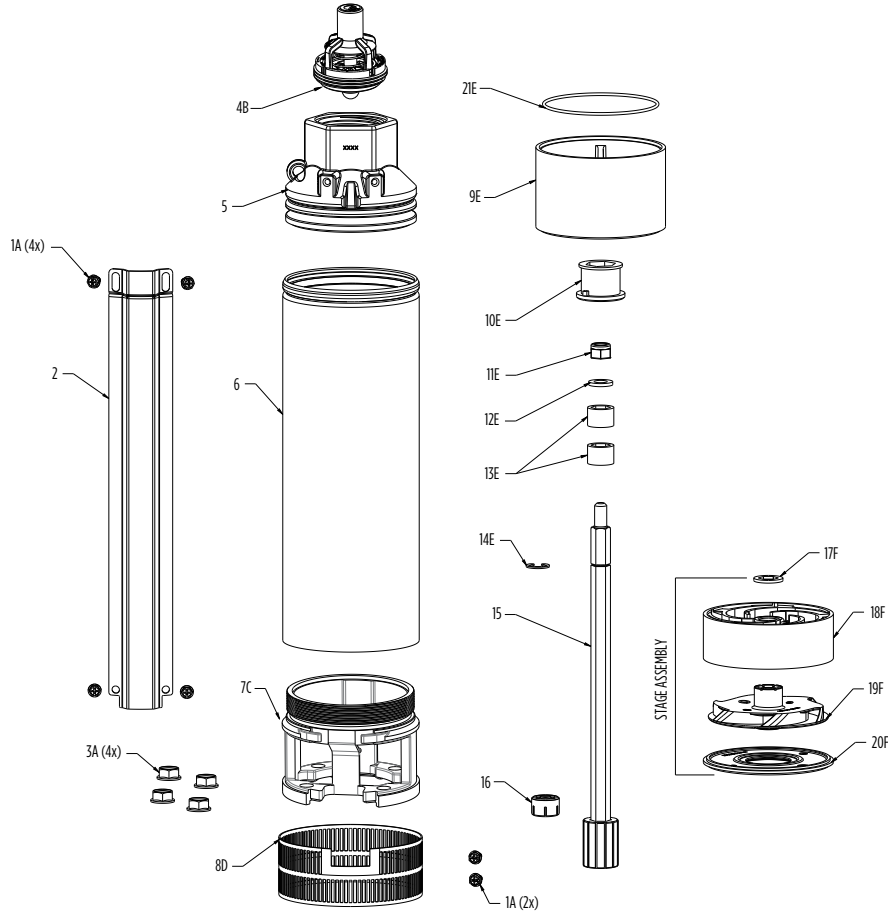


Fig. No.	Description	Component Construction Material	Kit Grouping Identifier*	Order No.
1	Fastener Kit	Stainless Steel	A	305472001
2	Cable Guard**	Stainless Steel	-	-
2	Cable Guard**	Thermoplastic	-	-
3	Hex Nut	Stainless Steel	A	305472001
4	Check Valve	Stainless Steel	B	305710002
5	Discharge Head	Stainless Steel	-	-
5	Discharge Head	Thermoplastic	-	-
6	Pump Shell	Stainless Steel	-	-
7	Motor Bracket	Stainless Steel	C	305710003
7	Motor Bracket	Thermoplastic	-	-
8	Intake Screen	Stainless Steel	D	305710004
8	Intake Screen	Thermoplastic	-	-
9	Bearing Support	Thermoplastic	-	-
10	Top Bearing	Rubber	-	-
11	Self-Locking Nut	Nylon/Stainless Steel	E	305472004
12	Washer	Stainless Steel	-	-
13	Hub Sleeve	Ceramic	-	-
14	Retainer Ring Clip	Stainless Steel	-	-
15	Pump Shaft	Stainless Steel	-	-
16	Hex Spacer Sleeve	Thermoplastic	-	-
17	Thrust Washer (black side down)	Phenolic/Carbon	-	-
18	Diffuser Assembly	Thermoplastic/Stainless Steel	F	-
19	Impeller Assembly	Thermoplastic	-	-
20	Disk Assembly	Thermoplastic/Stainless Steel	-	-
21	O-ring (when applicable)	Rubber	E	305472004
Not Shown	Stage Assembly - 5 GPM	-	-	305404911
Not Shown	Stage Assembly - 7 GPM	-	-	305404912
Not Shown	Stage Assembly - 10 GPM	-	-	305404913
Not Shown	Stage Assembly - 15 GPM	-	F	305404914
Not Shown	Stage Assembly - 20 GPM	-	-	305404915
Not Shown	Stage Assembly - 25 GPM	-	-	305404916

\* Items with like identifiers are sold/packaged together  
 \*\* Contact Customer Relations for assistance

## SUBMERSIBLE PARTS - 4" SERIES V

PLASTIC MODELS: 5-25 GPM

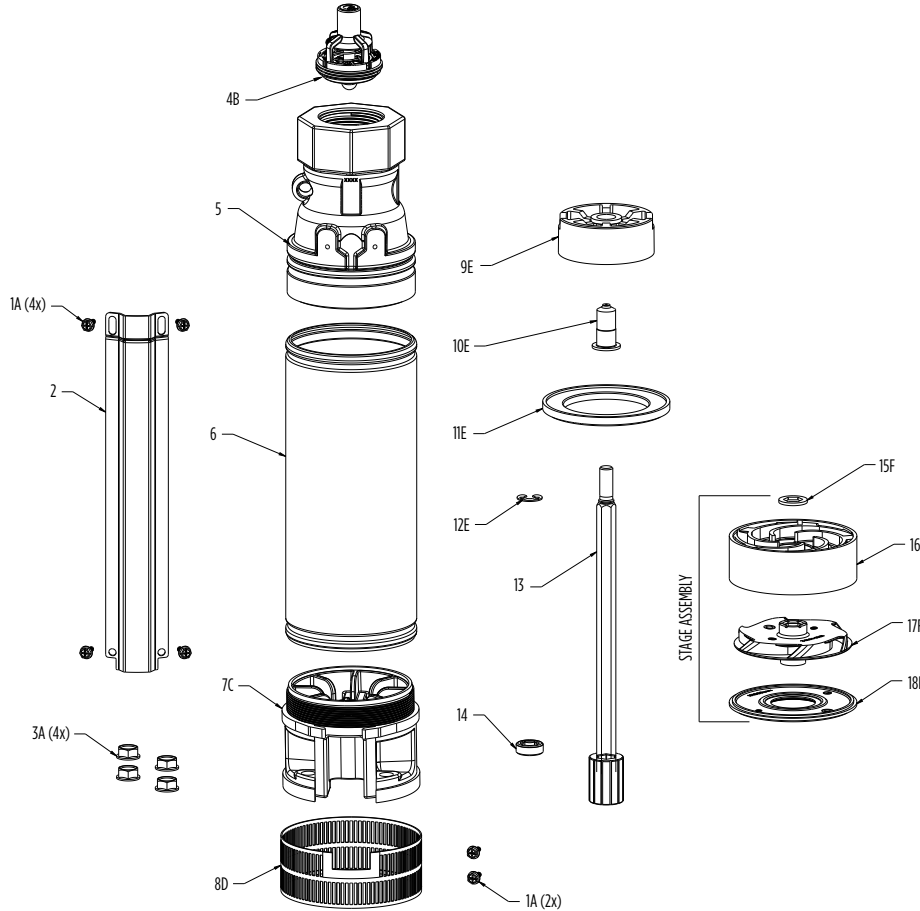


Fig. No.	Description	Component Construction Material	Kit Grouping Identifier*	Order No.
1	Fastener Kit	Stainless Steel	A	305710001
2	Cable Guard**	Stainless Steel	-	-
2	Cable Guard**	Thermoplastic	-	-
3	Hex Nut	Stainless Steel	A	305710001
4	Check Valve	Stainless Steel	B	305710002
5	Discharge Head	Stainless Steel	-	-
5	Discharge Head	Thermoplastic	-	-
6	Pump Shell	Stainless Steel	-	-
7	Motor Bracket	Stainless Steel	C	-
7	Motor Bracket	Thermoplastic	-	-
8	Intake Screen	Stainless Steel	D	305710004
8	Intake Screen	Thermoplastic	-	305710005
9	Bearing Support	Thermoplastic	-	-
10	Top Bearing	P.E.E.K.	E	-
11	Spacer (when applicable)	Thermoplastic	-	-
12	Retainer Ring Clip	Stainless Steel	-	-
13	Pump Shaft	Stainless Steel	-	-
14	Hex Spacer Sleeve	Thermoplastic	-	-
15	Thrust Washer (black side down)	Phenolic/Carbon	-	-
16	Diffuser Assembly	Thermoplastic/Stainless Steel	F	-
17	Impeller Assembly	Thermoplastic	-	-
18	Disk Assembly	Thermoplastic/Stainless Steel	-	-
19	O-ring (when applicable)	Rubber	E	-
Not Shown	Stage Assembly - 5 GPM	-	-	305404911
Not Shown	Stage Assembly - 7 GPM	-	-	305404912
Not Shown	Stage Assembly - 10 GPM	-	-	305404913
Not Shown	Stage Assembly - 15 GPM	-	F	305404914
Not Shown	Stage Assembly - 20 GPM	-	-	305404915
Not Shown	Stage Assembly - 25 GPM	-	-	305404916

\*Items with like identifiers are sold/packaged together  
 \*\* Contact Customer Relations for assistance

## SUBMERSIBLE PARTS - 4" SERIES V

### STAINLESS STEEL MODELS: 5-25 GPM

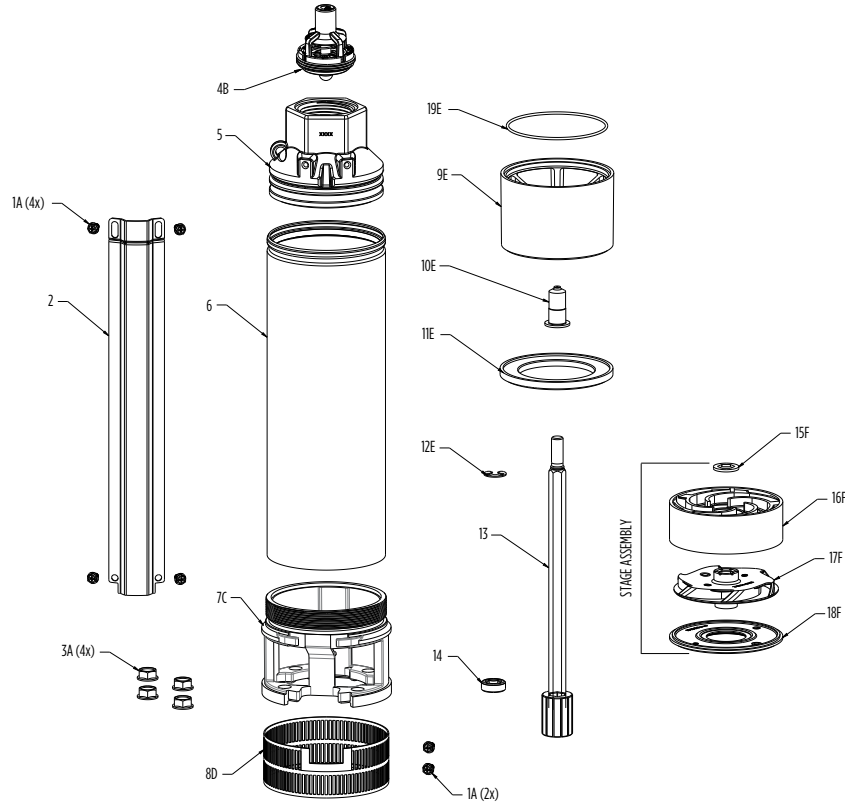


Fig. No.	Description	Component Construction Material	Kit Grouping Identifier*	Order No.
1	Fastener Kit	Stainless Steel	A	305710001
2	Cable Guard**	Stainless Steel	-	-
2	Cable Guard**	Thermoplastic	-	-
3	Hex Nut	Stainless Steel	A	305710001
4	Check Valve	Stainless Steel	B	305710002
5	Discharge Head	Stainless Steel	-	-
5	Discharge Head	Thermoplastic	-	-
6	Pump Shell	Stainless Steel	-	-
7	Motor Bracket	Stainless Steel	C	305710003
7	Motor Bracket	Thermoplastic	-	-
8	Intake Screen	Stainless Steel	D	305710004
8	Intake Screen	Thermoplastic	-	-
9	Bearing Support	Thermoplastic	-	-
10	Top Bearing	P.E.E.K.	E	305710006
11	Spacer (when applicable)	Thermoplastic	-	-
12	Retainer Ring Clip	Stainless Steel	-	-
13	Pump Shaft	Stainless Steel	-	-
14	Hex Spacer Sleeve	Thermoplastic	-	-
15	Thrust Washer (black side down)	Phenolic/Carbon	-	-
16	Diffuser Assembly	Thermoplastic/Stainless Steel	F	-
17	Impeller Assembly	Thermoplastic	-	-
18	Disk Assembly	Thermoplastic/Stainless Steel	-	-
19	O-ring (When Applicable)	Rubber	E	305710006
Not Shown	Stage Assembly - 5 GPM	-	-	305404911
Not Shown	Stage Assembly - 7 GPM	-	-	305404912
Not Shown	Stage Assembly - 10 GPM	-	-	305404913
Not Shown	Stage Assembly - 15 GPM	-	F	305404914
Not Shown	Stage Assembly - 20 GPM	-	-	305404915
Not Shown	Stage Assembly - 25 GPM	-	-	305404916

\*Items with like identifiers are sold/packaged together

\*\* Contact Customer Relations for assistance

# SUBMERSIBLE PARTS - 4" SERIES VI

## PLASTIC MODELS: 5-26 GPM

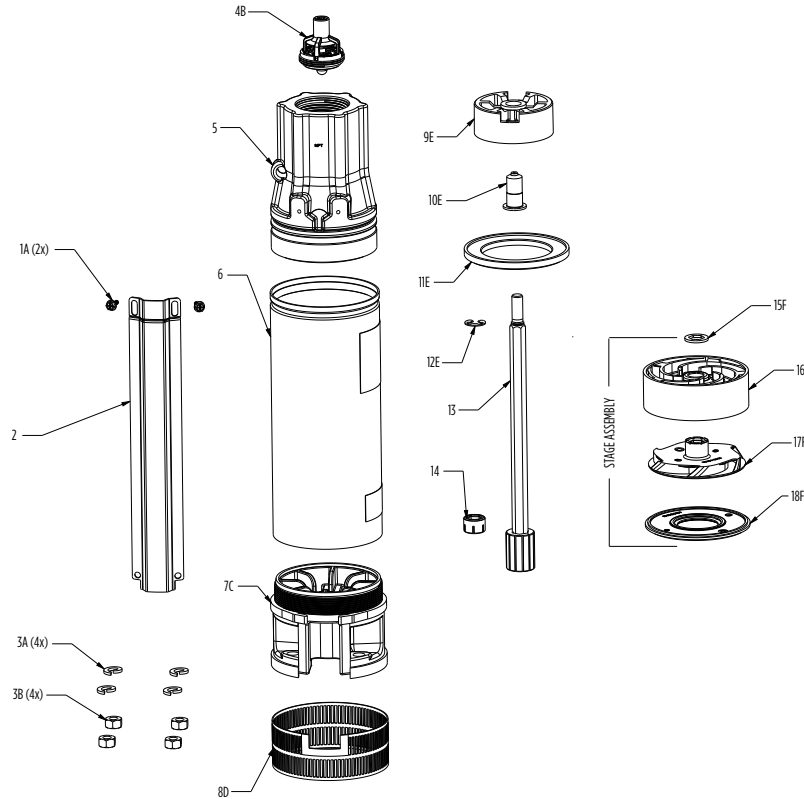


Fig. No.	Description	Component Construction Material	Kit Grouping Identifier*	Order No.
1	Fastener Kit	Stainless Steel	A	305710001
2	Cable Guard**	Thermoplastic	-	-
3	Hex Nut	Stainless Steel	A	305710001
4	Check Valve	Thermoplastic	B	305710002
5	Discharge Head	Thermoplastic	-	-
6	Pump Shell	Stainless Steel	-	-
7	Motor Bracket	Thermoplastic	C	-
8	Intake Screen	Thermoplastic	D	305710005
9	Bearing Support	Thermoplastic	-	-
10	Top Bearing	P.E.E.K.	E	-
11	Spacer (when applicable)	Thermoplastic	-	-
13	Pump Shaft	Stainless Steel	-	-
14	Hex Spacer Sleeve	Thermoplastic	-	-
15	Thrust Washer (black side down)	Phenolic/Carbon	-	-
16	Diffuser Assembly	Thermoplastic/Stainless Steel	F	-
17	Impeller Assembly	Thermoplastic	-	-
18	Disk Assembly	Thermoplastic/Stainless Steel	-	-
19	O-ring (when applicable)	Rubber	E	-
Not Shown	Stage Assembly - 5 GPM	-	-	305404911
Not Shown	Stage Assembly - 8 GPM	-	-	305404912
Not Shown	Stage Assembly - 10 GPM	-	-	305404930
Not Shown	Stage Assembly - 12 GPM	-	-	305404913
Not Shown	Stage Assembly - 16 GPM	-	F	305404914
Not Shown	Stage Assembly - 18 GPM	-	-	305404932
Not Shown	Stage Assembly - 22 GPM	-	-	305404915
Not Shown	Stage Assembly - 26 GPM	-	-	305404916

\*Items with like identifiers are sold/packaged together

\*\*Contact Customer Relations for assistance

## SUBMERSIBLE PARTS - 4" SERIES VI

### STAINLESS STEEL MODELS: 5-25 GPM

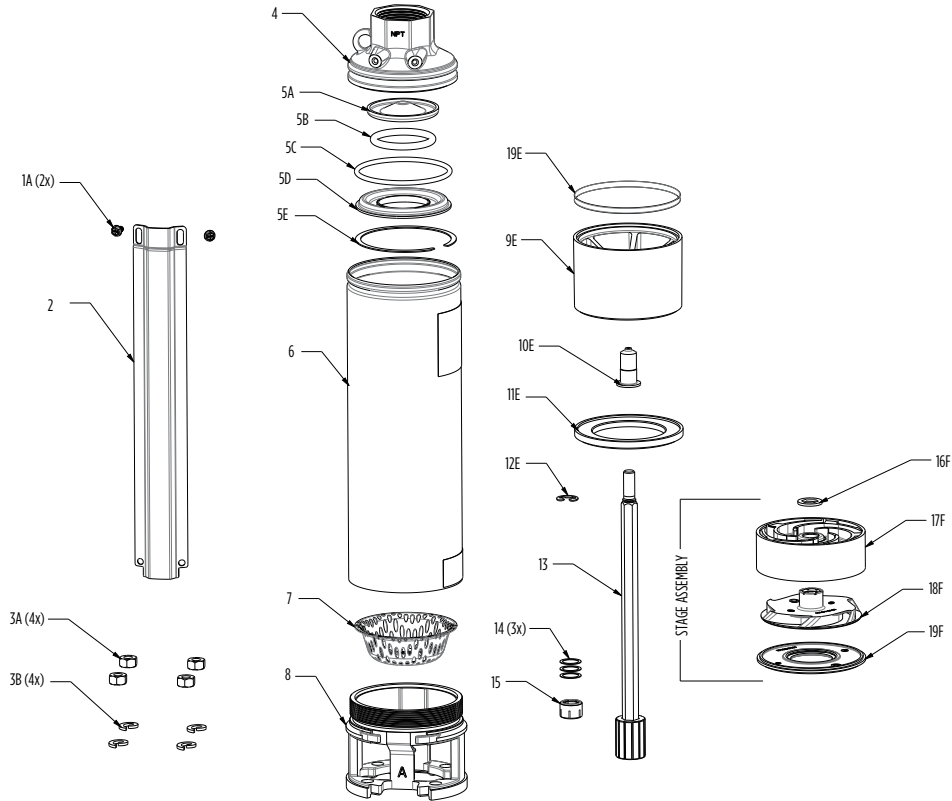


Fig. No.	Description	Component Construction Material	Kit Grouping Identifier*	Order No.
1	Fastener Kit	Stainless Steel	A	305710001
2	Cable Guard**	Stainless Steel	-	-
3	Hex Nut	Stainless Steel	A	305710001
4	Check Valve	Stainless Steel	B	305710002
5	Discharge Head	Stainless Steel	-	-
6	Pump Shell	Stainless Steel	-	-
7	Motor Bracket	Stainless Steel	C	305710003
8	Intake Screen	Stainless Steel	D	305710004
9	Bearing Support	Thermoplastic	-	-
10	Top Bearing	P.E.E.K.	E	305710006
11	Spacer (when applicable)	Thermoplastic	-	-
13	Pump Shaft	Stainless Steel	-	-
14	Hex Spacer Sleeve	Thermoplastic	-	-
15	Thrust Washer (black side down)	Phenolic/Carbon	-	-
16	Diffuser Assembly	Thermoplastic/Stainless Steel	F	-
17	Impeller Assembly	Thermoplastic	-	-
18	Disk Assembly	Thermoplastic/Stainless Steel	-	-
19	O-ring (When Applicable)	Rubber	E	305710006
Not Shown	Stage Assembly - 5 GPM	-	-	305404911
Not Shown	Stage Assembly - 8 GPM	-	-	305404912
Not Shown	Stage Assembly - 10 GPM	-	-	305404930
Not Shown	Stage Assembly - 12 GPM	-	-	305404913
Not Shown	Stage Assembly - 16 GPM	-	F	305404914
Not Shown	Stage Assembly - 18 GPM	-	-	305404932
Not Shown	Stage Assembly - 22 GPM	-	-	305404915
Not Shown	Stage Assembly - 26 GPM	-	-	305404916

\*Items with like identifiers are sold/packaged together

\*\* Contact Customer Relations for assistance

# SUBMERSIBLE PARTS - 4" TRI-SEAL HIGH CAPACITY

## STAINLESS STEEL MODELS: 35-90 GPM

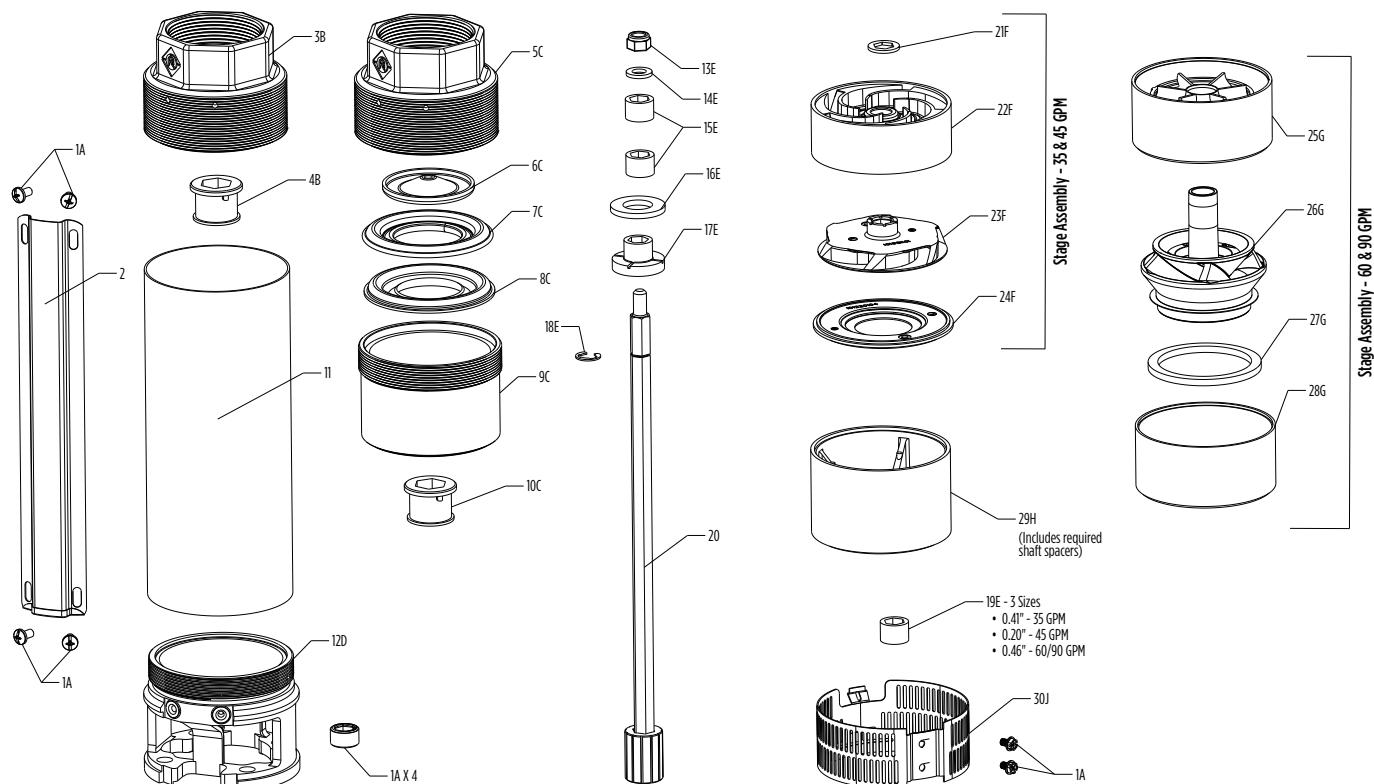


Fig. No.	Description	Component Construction Material	Kit Grouping Identifier*	Order No.	
				35/45 GPM	60/90 GPM
1	Fastener Kit	Stainless Steel	A	305711001	
2	Cable Guard*	Stainless Steel	-	-	
3	Discharge Head (No Check Valve)	Stainless Steel	-	-	
4	Top Bearing	Rubber	B	305711008	305711009
5	Discharge Head (Check Valve)	Stainless Steel	-	-	
6	Check Valve Disk	Stainless Steel	-	-	
7	Check Valve Seal	Rubber	-	-	
8	Check Valve Retainer	Stainless Steel	C	305711010	305980901
9	Bearing Support (Check Valve)	Stainless Steel	-	-	
10	Top Bearing	Rubber	-	-	
11	Pump Shell*	Stainless Steel	-	-	
12	Motor Bracket	Stainless Steel	D	305711011	305711003
13	Self-Locking Nut	Nylon/Stainless Steel	-	-	
14	Washer	Stainless Steel	-	-	
15	Hub Sleeve	Ceramic	-	-	
16	Thrust Washer**	Phenolic	E	305711012	
17	Thrust Journal**	Stainless Steel	-	-	
18	Retainer Ring Clip***	Stainless Steel	-	-	
19	Hex Spacer Sleeve (3 Sizes)	Thermoplastic	-	-	
20	Pump Shaft*	Stainless Steel	-	-	
21	35/45 GPM Thrust Washer (Black Side Down)	Phenolic/Carbon	-	-	
22	35/45 GPM Diffuser Assembly	Thermoplastic/Stainless Steel	-	-	
23	35/45 GPM Impeller Assembly	Thermoplastic	F	See P/N Below	-
24	35/45 GPM Disk Assembly	Thermoplastic/Stainless Steel	-	-	
Not Shown	Stage Assembly 35 GPM	Various	-	305711013	-
Not Shown	Stage Assembly 45 GPM	Various	-	305711014	-
25	60/90 GPM Diffuser Assembly	Thermoplastic	-	-	
26	60/90 GPM Impeller Assembly	Thermoplastic	-	-	
27	60/90 GPM Impeller Eye Seal	Urethane	G	-	See P/N Below
28	60/90 GPM Diffuser Cup	Thermoplastic	-	-	
Not Shown	Stage Assembly 60 GPM	Various	-	305711015	
Not Shown	Stage Assembly 90 GPM	Various	-	305711016	
29	Intermediate Bearing	Thermoplastic/Rubber/Ceramic	H	305711017	305711005
30	Intake Screen	Stainless Steel	J	305711004	

\* Items with like identifiers are sold/packaged together

\*\* Contact Customer Service for assistance

\*\*\* Not used on 35 gpm